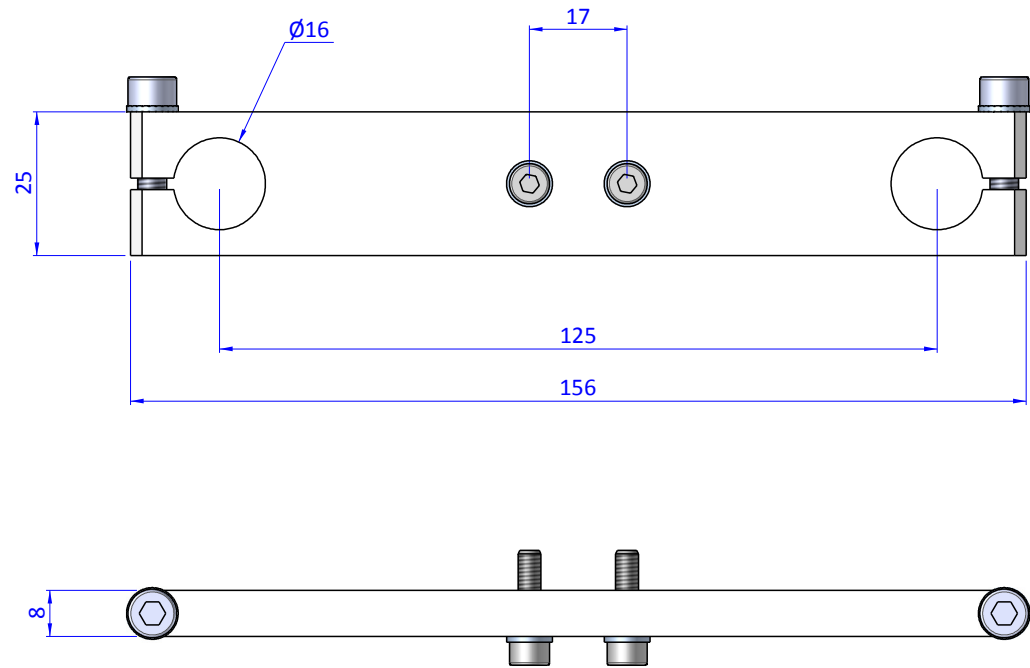
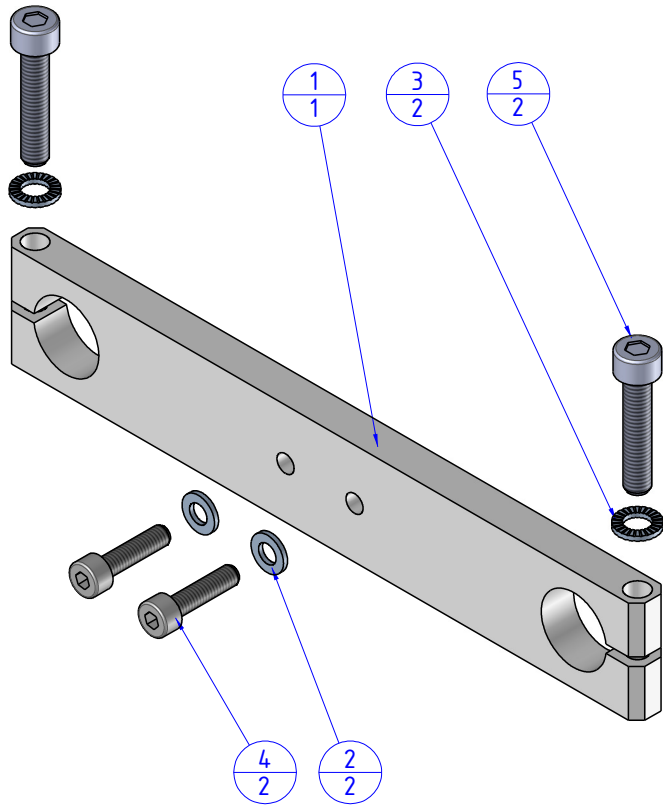



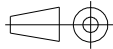
THE PROPERTY OF THE DRAWING IS ESTABLISHED BY LAW. IT IS FORBIDDEN TO PRODUCE OR SHOW IT TO THIRD PARTY, WITHOUT A WRITTEN AGREEMENT.

Item	Name	Q.ty
1	KBH.20.16.125	1
2	R.4	2
3	R.5.SCH	2
4	V.TCE4x16	2
5	V.TCE5x25	2



Format A3

UNI 936-76

 <b>FPS</b> FPSERVICES AUTOMATION				DESIGNED FROM	REVIEW
				FPS Automation	A
GENERAL TOLERANCE		DESCRIPTION		DATE	WEIGHT
UNI - ISO 2768		CA.KBH.20.16.125		20/05/2019	0,090kg
CLASSE f				CODE	
				CA.KBH.20.16.125	